

## S3 PICKER

3 cnc-axis picker

## S5 PICKER

3 linear cnc-axis picker

For simple automation of injection molding machines  
from 20 to 200 T

### ROBOT TECHNOLOGY FOR A SERVO SPRUE-PICKER



**YOUR FREE CHOICE IN ROBOTS**

## ROBOT TECHNOLOGY FOR A SERVO SPRUE-PICKER

**OFFERING YOU NEW POSSIBILITIES FOR AUTOMATING YOUR PRODUCTION ON SMALL MOLDING MACHINES**

The S3 Picker and S5 Picker are extremely reliable and durable, thanks to their rigid design and the quality of their prismatic rails.

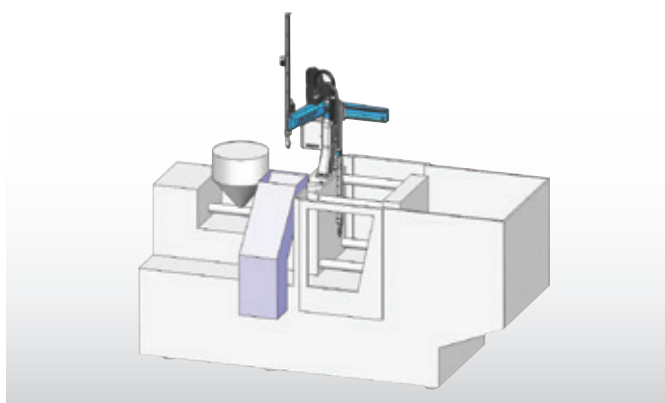
The S3 Picker and S5 Picker are able to perform high accelerations (up to  $20\text{m/s}^2$  - S3 Picker, and up to  $25\text{m/s}^2$  - S5 Picker) smoothly and at very high speeds, especially on the vertical axis. They reduce mold intervention times by 0.5 to 1 second on average compared with a pneumatic sprue picker.

Integrated and compact installation within the IMM footprint; they are simple to install on the IMM.

For the S3 Picker, the sprues are released into a chute to be integrated in the IMM towards the grinder.

For the S5 Picker, the sprues are released into a chute attached under the beam towards the grinder. In the extended transversal stroke version, the sprues are directly released outside the IMM into the grinder or onto a belt.

Performing Cycles is simple thanks to the interactive and user-friendly Touch Picker control. The positions are memorized for quick production changes (no intervention required on pneumatic cylinder stops).



S3 Picker: 3 CNC axes with side axis rotation



S5 Picker: 3 Cartesian linear CNC axes

- Accurate linear guides
- Simultaneous control of the 3 axes with servomotors
- Reduced intervention time in the mold
- Touch Picker control that includes a simple Pick & Place module and free programming for specific sequences.



TOUCH PICKER  
SEPRO

## TOUCH PICKER - SIMPLY INTUITIVE

### "WHAT YOU SEE IS WHAT YOU GET"

- With the Simple Pick-and-Place Module, create your cycle by just answering the questions the system asks you and see the result immediately in 3D on the video.
- Operators can therefore create Simple Pick-and-Place cycles quickly and easily.



### MAKE YOUR DAILY ROUTINE EASIER

- When fine-tuning, the joystick makes delicate settings in the mold possible.
- The large, 10» LCD tactile screen is very readable and easy to use thanks to clear and precise instructions translated into over 25 languages.
- The operating manual can be called up on the screen at any time. You can directly access the chapters from the table of content's hyperlinks or zoom in on a precise detail.



### TRIED AND TESTED ERGONOMICS

Task-based navigation means you can directly access the job to be done :

- Production,
- Mold Change,
- Programming,
- Maintenance.



	S3 Picker	S5 Picker
Mold clamping force - Indication metric Tons	20 - 200	20 - 200
Mold clamping force - Indication US tons	33 - 220	33 - 220
B Rotation (°)	100	
Maximum instantaneous speed (°/s)	200	
Horizontal stroke (mm)		600
Maximum instantaneous speed (m/s)		1,2
Demold stroke (mm)	400	400
Maximum instantaneous speed (m/s)	1,2	1,2
Vertical direct arm	✓	✓
Vertical stroke (mm)	1000	1000
Maximum instantaneous speed (m/s)	2	2,7
Maximum load (parts + EOAT) (kg)	1	1
Sprue gripper with control sensor	✓	✓
Part grip - Vacuum circuit	1	
Part grip - Combined vacuum and/or pressure circuit		1
Digital Input available at the end of arm	2	
Simple pick & place module for picker	✓	✓
EUROMAP 67 interface	✓	✓
I/O available in cabinet	3/3	3/3
Compact mounted control cabinet	✓	
Compact beam-mounted control cabinet		✓
Touch 2 Picker control system	✓	✓

#### OPTIONS

Extended horizontal stroke to 1000 mm		✓
Extra Part grip - Vacuum circuit	1	
Extra part grip - Pressure circuit	1	
Extra part grip - Combined vacuum and/or pressure circuit		1
Digital vacuum switch		✓
4 vacuum cup adjustable gripper kit	✓	✓
R1 pneumatic rotation (0-90°) (Instead of the sprue gripper)		✓
PC editor	✓	✓
Adaptation for EUROMAP 12 interface (5 m cable)	✓	✓

#### WHY CHOOSE SEPRO ?

- Sepro Group is among the top 3 manufacturers of 3-axis robots and is a global integrator in 6-axis robot
- Main supplier in the Automotive Industry in Europe and the USA - global leader for IMMs over 800T
- A full line of robots from 3 to 6 axis with one unique and user-friendly control
- Over 30,000 installations worldwide

**YOUR FREE CHOICE IN ROBOTS**

[www.sepro-group.com](http://www.sepro-group.com)